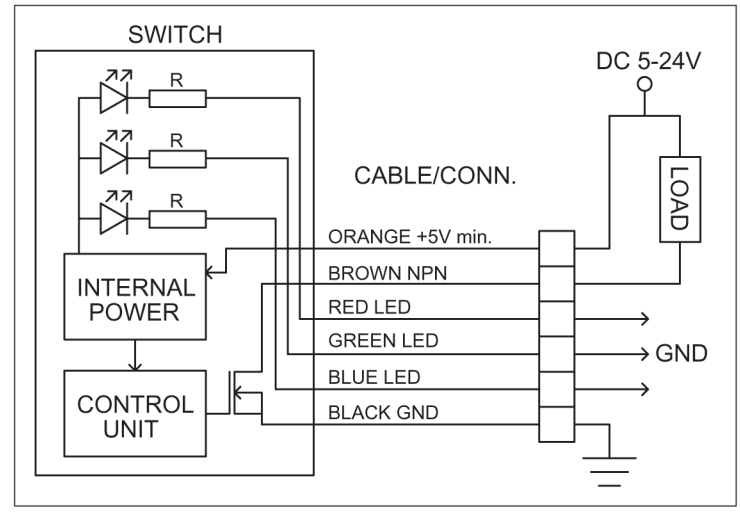
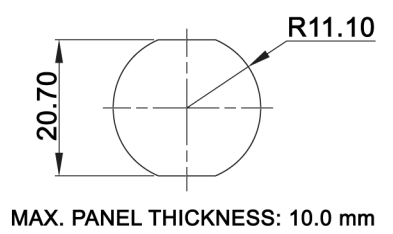


APPLICATION DIAGRAM



PANEL CUT-OUT



Compliance: RohS II (2011/65/EU)

Tolerances:	Date	Name
0.00: ±0.25 mm	08/18	dr
0.0: ±0.40 mm		
Modifications	Date	Name

CTK 22 L-A1-F1FB00-3CD101

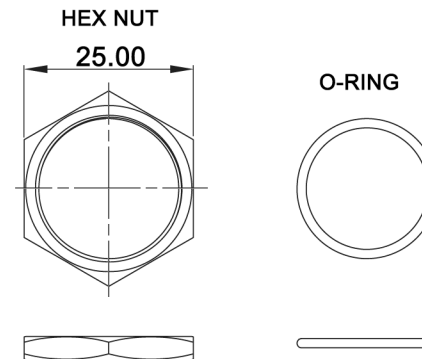
knitter-switch

30 41 32

**Specifications:**

Contact rating: 1 A, 5-24 V DC  
 Contact resistance: 1 Ohm max.  
 Operating temperature: -20°C to +65°C  
 Mechanical life: 50 000 000 cycles min.  
 Type: lock  
 Indicator color: red/green/blue  
 IP class: IP68  
 Material: Bushing: aluminum alloy  
           Cap: PC, aluminum alloy  
           Sealing: silicone, epoxy  
           O-ring: silicone  
           Hex nut: brass, nickel plated

**HARDWARE**



Compliance: RohS II (2011/65/EU)

Tolerances: 0.00: ±0.25 mm		Date	Name	<b>CTK 22 L-A1-F1FB00-3CD101</b>
0.0: ±0.40 mm		08/18	dr	
			<b>knitter-switch</b>	<b>30 41 32</b>
Modifications	Date	Name	1/2	